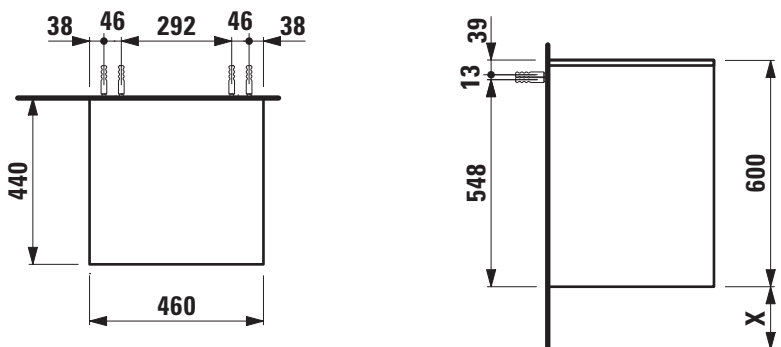


TECHNICAL DATA

Order no.	40752.0	Mounting information	The walls installed on must meet the requirements of the furniture in terms of weight and the supplied fastening elements. If this cannot be guaranteed another method of installation needs to be chosen. For example with feet.
Dimensions (WxHxD)	460 x 600 x 440 mm		
Specification	Body – hand lacquered melamine coated particle board with ABS edges With hidden wall fixation 1 fixed shelf	Colours Body/Front/	631 – White glossy
Weight	15,0 kg	Glass cover plate	633 – Black glossy 634 – Grey matt 635 – Orange glossy
Accessories excl.	Feet (2 pieces), chromed, order no. 40762.0 Glass cover plate, order no. 40753.0		
Mounting acc. incl.	Installation set for furnitur, order no. 49401.2		

TECHNICAL DRAWINGS / S 1 : 20



X = The exact hight must be set during installation.